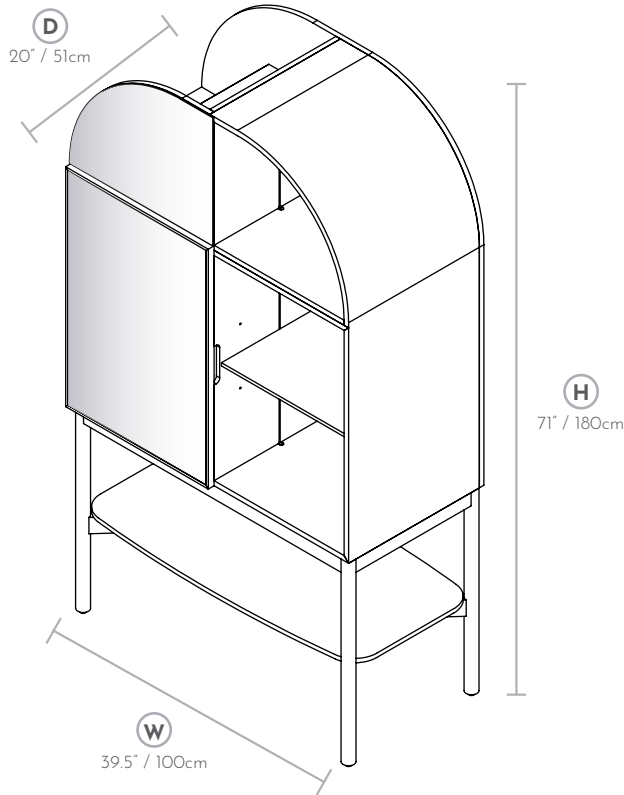


CLIENT:

PO# :

DATE:

1. Select your Lunaria Bar type. (ART or STUDIO will only depend of Glass finish selection in the next section)



		(W)		(D)		(H)
inches	BR Lunaria Bar	39.5	x	20	x	71
cms.	BR Lunaria Bar	100	x	51	x	180

- ART US11124/MX157555
- STUDIO US10790/MX152815

2. Select finishes & materials on each line. (Consult Annex to validate Finishes & Materials available.)

• GLASS (INSIDE BACK PANEL):  
GLASS FINISH:

• GLASS (QUARTER CIRCLE TOP):  
GLASS FINISH:

• GLASS (DOOR):  
GLASS FINISH:

• ALUMINUM FRAME DOOR  
ALUMINUM FINISH:

• WOOD (BODY AND BOTTOM SHELF):  
WOOD FINISH:

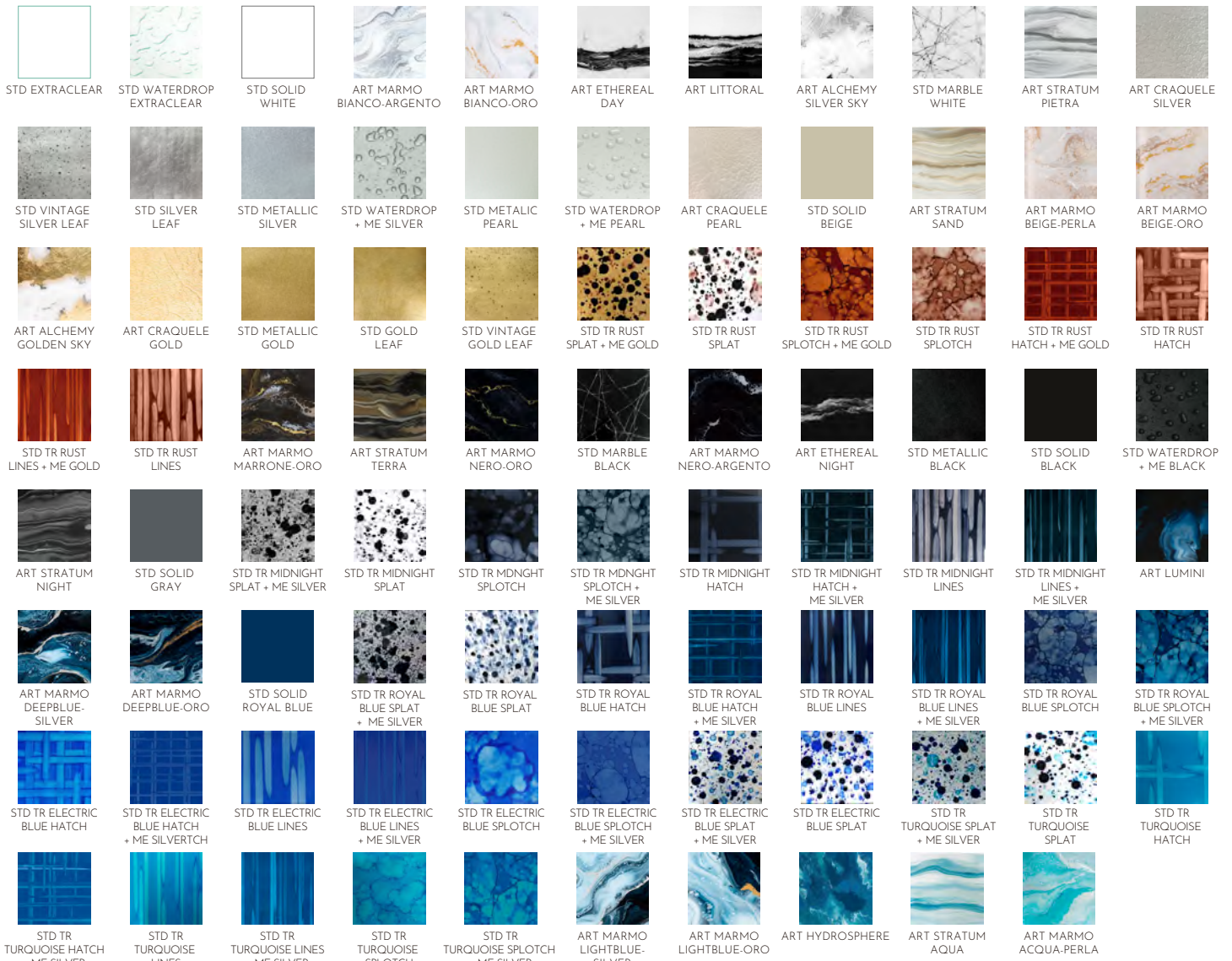
• METAL LEGS:  
METAL FINISH:

Format filled by:

Customers are responsible of validating all specs and details described in this format. This document will be taken as the official version for production, please consider all selections cannot be cancelled or modified once the order is submitted.

**SEND FORMAT TO YOUR SALES REPRESENTATIVE**

## GLASS FINISHES (Note the acronym 'ART' is for ART finishes and 'STD' for STUDIO finishes)



## WOOD



## METALS

